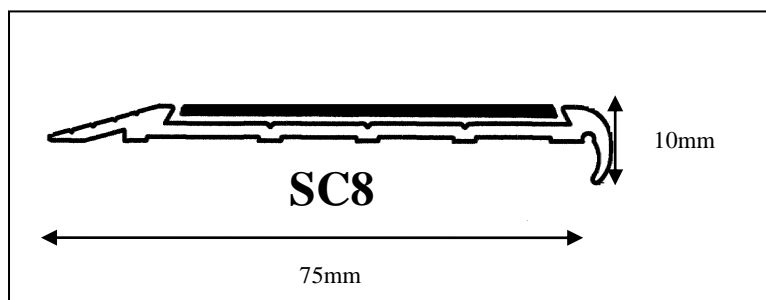




pathfindersystems

## PRODUCT INFORMATION SHEET STAIR NOSING – COVER STRIPS – ANTI SLIP TAPE



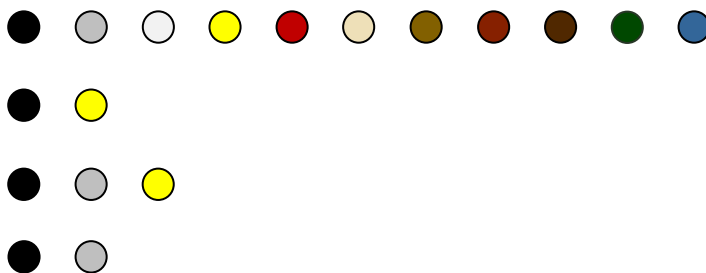
SC8 stair nosing has been designed for use on hard surface stairs, either indoor or outdoor. The nosing can be fitted with four different styles of insert to suit various applications. All inserts have been slip checked to AS 4586:2013. SC8 fully complies with the requirements of AS 1428.1-2009

**Aluminium** The SC8 Stair nosing is extruded from 6063/T5 Alloy. This architectural grade alloy offers good surface finish and superior corrosion resistance.

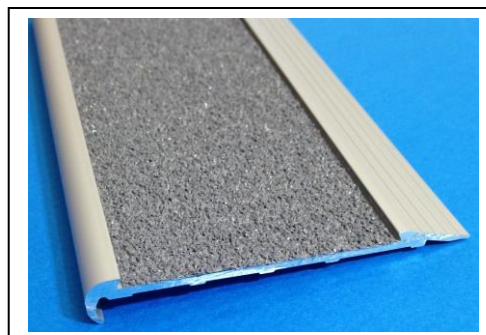
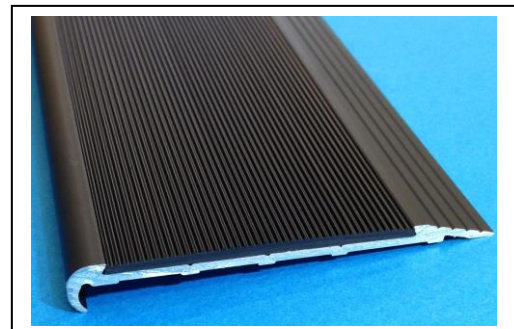
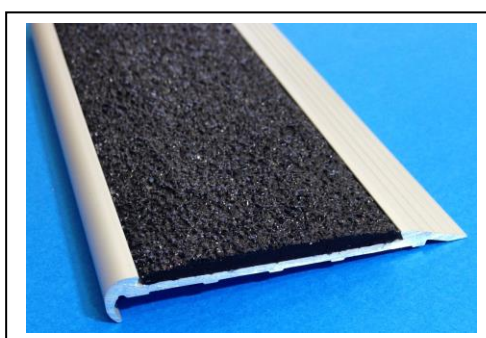
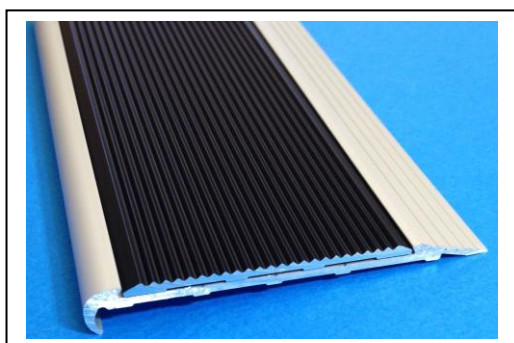
**Anodising** Aluminium profiles are anodised 15 – 20 microns in accordance with AS 1231:2000. Available in, clear (silver) or black.

**Inserts** SC8 is available with 4 different styles of anti slip insert. SC8 can also be fitted with

- **Pvc Anti Slip Strip:**  
~ Black, Pewter, Apeo, Yellow, Red, Beige, Tan, Terracotta, Brown, Green & Blue
- **SCR Solid Strip with Silicon Carbide Grit**  
~ Black & Yellow
- **Carborundum Anti Slip Tape**  
~ Black, Grey, Yellow
- **SC12 Aluminium Ripple Trim**  
~ Black & Clear (silver)



**Standard Length** SC8 profile standard length is 4300mm, supplied cut to size



Pathfinder Systems Australia Pty Ltd, Unit 3, 95 Jemma Road, Prestons NSW 2170

Phone:- 02 9608 5249

Fax:- 02 8783 7869

Email:- [sales@pathfindersystems.com.au](mailto:sales@pathfindersystems.com.au) website: [www.pathfindersystems.com.au](http://www.pathfindersystems.com.au)