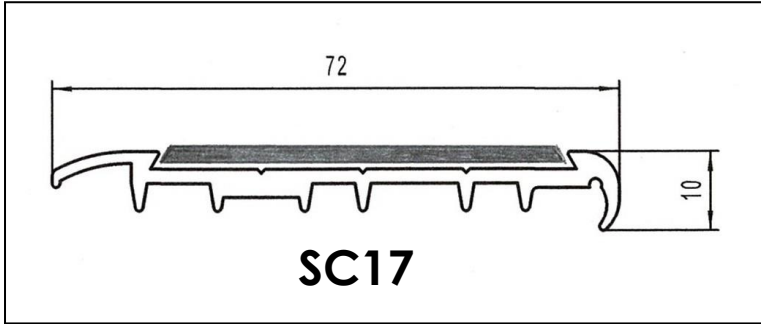




pathfindersystems

PRODUCT INFORMATION SHEET
STAIR NOSING – COVER STRIPS – ANTI SLIP TAPE



SC17 carpet stair nosing has been designed for use on thick carpet or carpet with underlay. Designed for situations that need to comply with the requirements for stair nose not to extend down the riser more than 10mm, as specified in AS 1428.1-2009. All inserts have been slip checked to AS 4586:2013.

Aluminium The SC17 aluminium base is extruded from 6063/T5 Alloy. This architectural grade alloy offers good surface finish and superior corrosion resistance.

Anodising Aluminium profiles are anodised 15 – 20 microns in accordance with AS 1231:2000. Available in, clear (silver)

Insert SC17 is available with pvc or aluminium ripple trim anti slip inserts. A carborundum grit insert can be fitted, however, the coarse grit finish may pick up carpet fibres and is therefore not recommended.

• **Pvc Anti Slip Strip:**

~ Black, Pewter, Apeo, Yellow, Red, Beige, Tan, Terracotta, Brown, Green & Blue



• **SC12 Aluminium Ripple Trim**

~ Black & Clear (silver)



Standard Length Staircare SC17 profile standard length is 4300mm, supplied cut to size.

