

# Pathfinder...Providing innovative tactile systems

Discreet Tactile, with Stainless Steel upper dome, on Star Poly Shaft



## Specifications

**Product name:** Pathfinder – Discreet Stainless steel cap with poly shaft tactile system

**Product code:** PFSA THISS12SST THISS25SST  
Tactile ground surface indicator (discreet) hazard system type.

**Manufacturing Material:** 316 Stainless steel cap with engineered polyurethane shaft

Manufactured to meet the 1428.4.1.2009 AS/NZ Standards

### Suitable substrate for installation:

Concrete, Asphalt, Timber, Pavers, Tiles surfaces.

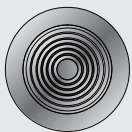
### CSIRO slip test results

Wet pendulum test = **W**

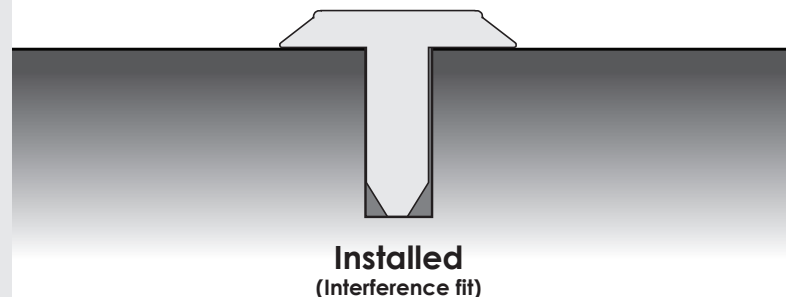
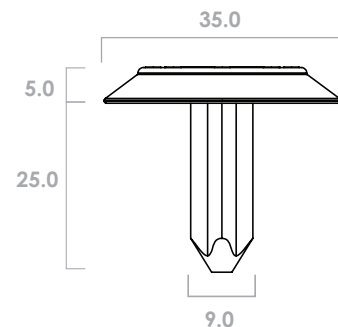
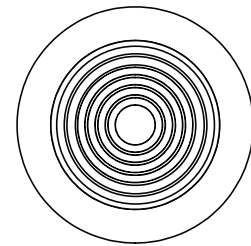
Oil/Wet ramp test = **R12**

(reports available on request)

### Colours:



**Stainless Steel**  
Finish: **Polished**



pathfindersystems

Pathfinder Systems Australia Pty Ltd

Telephone: 1300 362 775

Email: [enquiries@pathfindersystems.com.au](mailto:enquiries@pathfindersystems.com.au)

ABN: 45 095 789 423